



STRIKER BRACKET KIT

Fitting instructions to suit single and double metal door frame fitted with hook bolt mortice lock.

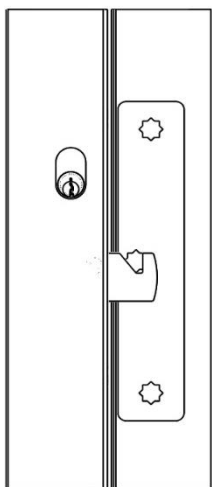
Ensure the hook bolt mortice lock is installed to manufacturer's specifications.

Kit includes 2 x 2mm Striker Plates 316SS
1 x Striker Coach Bolt 316SS

2 x Coach Bolts M10 316SS
3 x Nylock Nuts M10 316SS

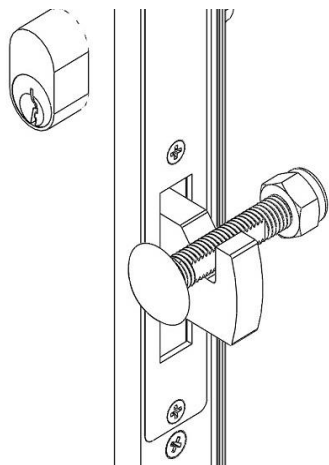
Step 1

Open door with the hook bolt in locked position and line up template to mark out center hole on door or frame. Drill through door or frame where marked to suit M10 coach bolt size.



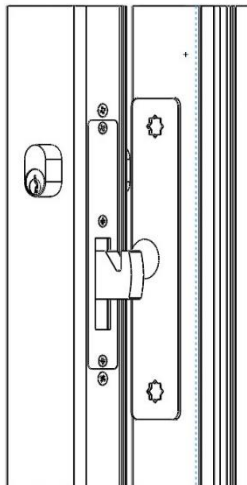
Step 2

Ensure middle position lines up with both the flat on hook bolt and flat of Striker Coach Bolt. Refer to image for correct orientation.



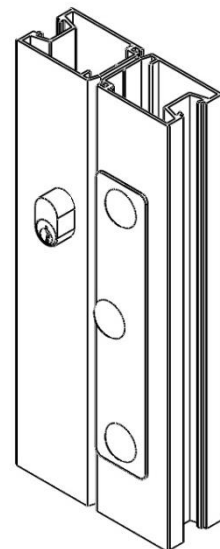
Step 3

Place Striker Plate on each side of door or frame and install middle Striker Coach Bolt with correct orientation, tighten Nylock Nut until firm and check the lock function. Line up both Striker Plates so they are parallel with frame & mark the center of top & bottom Striker Plate holes



Step 4

Install and tighten Nylock Nuts onto top & bottom Coach Bolts, recheck lock function and adjust as required.



Made in Australia

Designed by Locksmiths

Patent Pending

